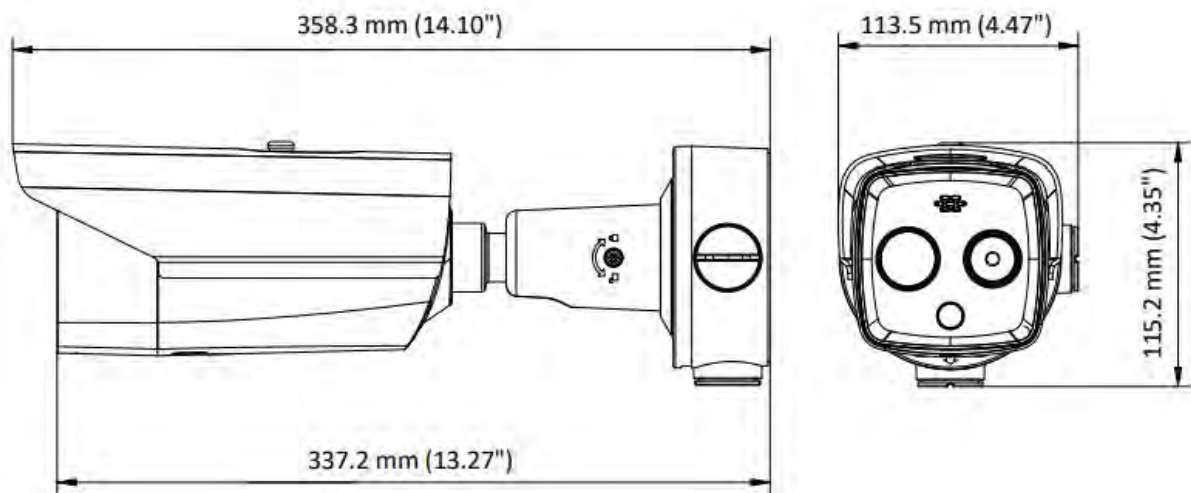


Thermal Bi-spectrum Network Bullet Camera w/10MM lens, +/- 8degrees W/SD Slot

- Max Resolution 160 × 120
- Leading thermal image processing technology: Adaptive AGC, DDE, 3D DNR
- Up to 15 palettes of adjustable colors
- Focal Length: 9.7mm
- Bi-spectrum image fusion, picture-in-picture preview
- Behavior analysis function, based on deep learning algorithm: line crossing, intrusion, region entrance & exit
- Advanced fire detection algorithm
- Strobe light and audio alarm



Dimensions



Technical Specifications

Thermal					
Image Sensor	VOx Uncooled Focal Plane Arrays				
Resolution	160×120				
Pixel Interval	17μm				
Response Waveband	8μm to 14μm				
NETD	Less than 40 mK (@25°C,F#=1.1)				
Focal Length	9.7mm				
IFOV	1.75 mrad				
Aperture	F1.1				
Field Of View	15.96° × 12° (H × V)				
Min. Focusing Distance	0.6 m				
Optical					
Image Sensor	1/2.7" Progressive Scan CMOS				
Resolution	2688×1520, 4MP				
Min. Illumination	Color: 0.0176 Lux at (F2.25, AGC ON), B/W: 0.0035 Lux at (F2.25, AGC ON)				
Field Of View	39.42° × 22.14°(H × V)				
Response Waveband	8mm				
Shutter Speed	1s to 1/100,000s				
White Balance	Auto/Manual/ATW (Auto-tracking White Balance)/Indoor/Outdoor/Daylight Lamp/Sodium Lamp				
Field of View	50° × 37.2° (H × V)				
Day & Night Mode	IR cut filter with auto switch				
WDR	120 dB				
Illuminator					
IR Distance	Up to 40 m				
IR Intensity And Angle	Automatically adjusted				
Feature					
Bi-Spectrum Image Fusion	Fusion view of thermal view and overlaid details of the optical channel				
Picture In Picture	Combines details of thermal and optical image PIP, overlay thermal image on optical image				
Feature					
DORI Distance	Coverage	Detect	VCA Range	Recognize	Identify
	Vehicle	875 m	210 m	219 m	109 m
	Human	285 m	70 m	71 m	36 m

*Design and specifications are subject to change without notice.

Technical Specifications

Smart Function	
VCA (Video Content Analysis)	4 VCA rule types (Line Crossing, Intrusion, Region Entrance, and Region Exiting), up to 8 VCA rules.
Temperature Measurement	3 temperature measurement rule types, 21 rules (10 points, 10 regions, and 1 line).
Temperature Range	-20 °C to +150 °C (-4 °F to +302°F)
Temperature Accuracy	± 8 °C (± 14.4 °F)
Fire detection	Dynamic fire point detection, up to 10 fire points detectable.
Network	
Main Stream	Visible Light: 50Hz: 25fps (2688 × 1520), 25fps (1920 × 1080), 25fps (1280 × 720) Visible Light: 60Hz: 30fps (2688 × 1520), 30fps (1920 × 1080), 30fps (1280 × 720) Thermal: 1280 × 720, 704 × 576, 640 × 480, 352 × 288, 320 × 240
Sub-stream	Visible Light: 50Hz: 25fps (704 × 576), 25fps (352 × 288), 25fps (176 × 144) Visible Light: 60Hz: 30fps (704 × 480), 30fps (352 × 240), 30fps (176 × 120) Thermal: 704 × 576, 352 × 288, 320 × 240
Video Compression	H.265/H.264/MJPEG
Audio Compression	G.711u/G.711a/G.722.1/MP2L2/G.726/PCM
Protocols	IPv4/IPv6, HTTP, HTTPS, 802.1x, Qos, FTP, SMTP, UPnP, SNMP, DNS, DDNS, NTP, RTSP, RTCP, RTP, TCP, UDP, IGMP, ICMP, DHCP, PPPoE
Simultaneous Live View	Up to 20
User/Host Level	Up to 32 users, 3 levels: Administrator, Operator, User
Security Measures	User authentication (ID and PW), MAC address binding, HTTPS encryption, IEEE 802.1x access control, IP address filtering
Interface	
Alarm Input	2-ch inputs (0-5vDC)
Alarm Output	2-ch relay outputs, alarm response actions configurable
Alarm Action	SSD recording/relay output/smart capture/FTP upload/email linkage/audio alarm/white light alarm
Audio Input	1 3.5mm Mic in/Line in interface. Line input: 2-2.4V[p-p], output impedance: 1KΩ±10%
Audio Output	Linear Level; Impedance: 600Ω
Reset	1 Reset Button
SD Memory Card	Built-in Micro SD card slot, support Micro SD/SDHC/SDXC card (up to 128G), support manual/alarm recording
Analog Video Output	1.0V [p-p]/75Ω, PAL/NTSC/BNC
Client	iVMS-4200
Web Browser	IE9+, Chrome 31-44, Firefox 30-51, Safari 5.02+(mac)

*Design and specifications are subject to change without notice.

General	
Power Supply	12 VDC \pm 20%, two-core terminal block PoE (802.3af, class 3)
Power Consumption	12 VDC \pm 20%: 0.65 A, max. 7.5 W PoE (802.3af, class 3): 42.5 V to 57 V, 0.14 A to 0.22 A, max. 8 W
Working Environment	Temperature: -40 °C to 65 °C (-40 °F to 149 °F) Humidity: 95% or less
Ingress Protection	IP66 Standard TVS 6000V lightning protection, surge protection, voltage transient protection
Weight	Approx. 1.76 kg (3.88 lb)
Dimensions	358.3 mm \times 113.5 mm \times 115.2 mm (14.10" \times 4.47" \times 4.53")